

Cable Kit, 10-Foot Model CK10B

BOGEN®

Description

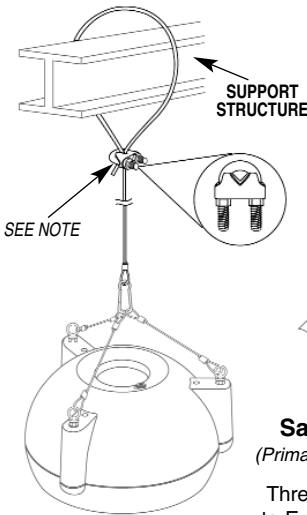
The CK10B is a 10-foot long Cable Kit. The kit can be used either as a main suspension drop cable or as a safety cable.

Contents

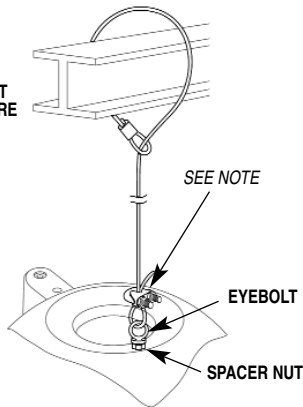
10-foot long Cable w/fixed loop, Cable clamp, Eyebolt, Spacer Nut, Instruction Sheet

Installation

The cable can be secured to the speaker and the building structure in a variety of ways. Below are three common approaches. The support structure **MUST** be able to support 100 lbs. to provide adequate safety margin.

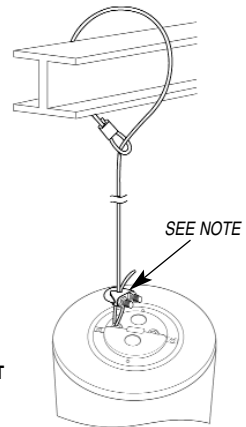


**Pendant
Drop Cable**



Safety Cable for Pendant
(Primary Suspension Cables not shown)

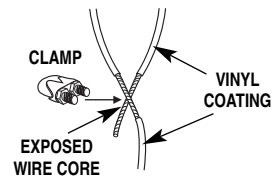
Thread Spacer Nut completely on to Eyebolt, then thread the Eyebolt into Safety Point. Tighten securely (but do not over-tighten).



**Seismic Tether
for
Ceiling Speaker**

Note

IMPORTANT: For Vinyl-coated Cable, you must strip away the coating in the area where the Cable Clamp will be applied so that the clamp makes contact to the wire core of the cable.



WARNING

CABLE CLAMPS MUST BE SECURELY TIGHTENED. FAILURE TO DO SO MAY RESULT IN PROPERTY DAMAGE, INJURY OR DEATH, AND LEGAL LIABILITY TO YOU AND YOUR BUSINESS.

BOGEN®
COMMUNICATIONS, INC.