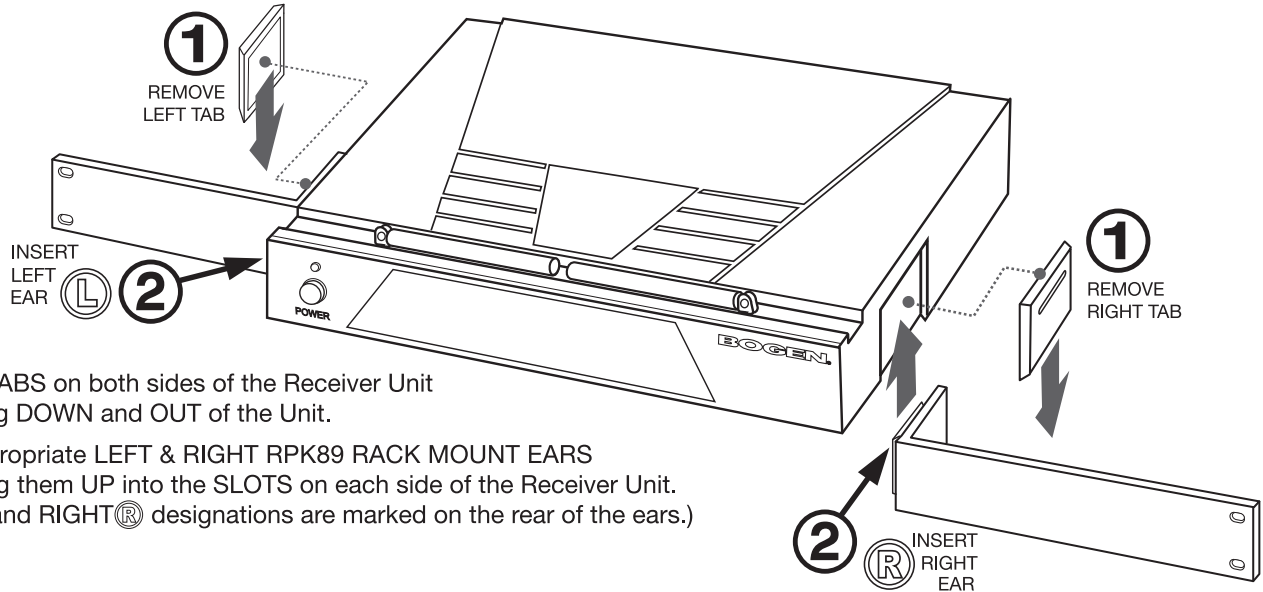


RPK89

Rack Mount Kit for a Single Receiver Unit Setup

BOGEN



1. Remove TABS on both sides of the Receiver Unit by pushing DOWN and OUT of the Unit.
2. Insert appropriate LEFT & RIGHT RPK89 RACK MOUNT EARS by pushing them UP into the SLOTS on each side of the Receiver Unit. (LEFT (L) and RIGHT (R) designations are marked on the rear of the ears.)

BOGEN
COMMUNICATIONS, INC.

50 Spring Street, Ramsey, NJ 07446, USA
Tel. 201-934-8500 • Fax: 201-934-9832
www.bogen.com

54-2169-01B 1110
© Bogen Communications, Inc.
Specifications are subject to change without notice.