

# ORATOR

## Bogen Orator Voice Reinforcement System



COVER IN CLOSED POSITION



**Description:** The **Bogen Orator** is a two-channel, infrared (IR) wireless microphone/transmitter and mixer-amplifier system designed to enhance a presenter's voice in all areas of the room. The Orator uses infrared technology, eliminating the interference and cross-talk from adjacent rooms that occurs in RF-based wireless products.

The rugged, wireless, IR MIC/Transmitter (OMX1) can be used as a handheld microphone, worn as a pendant microphone around the neck, or clipped to a pocket or belt as a body-pack (with an external lavalier microphone). In addition to using the MIC/Transmitter for live voice, a mini-jack AUX input is provided to allow other audio sources to be transmitted wirelessly for the ultimate in connection convenience. The MIC/Transmitter includes a rechargeable Lithium-Ion battery.

The Orator Receiver/Base (ORB35) unit contains a two-channel wireless IR receiver and a 35W mixer/amplifier with four AUX inputs plus a Priority Paging input compatible with line-level as well as speaker-level signals. The priority page input will mute all AUX inputs. Front-mounted Bass and Treble

controls and a rear-mounted 6-band graphic EQ provide 8 bands of frequency shaping. A boost and subwoofer signal level output complete the audio package.

Built into the front of the unit are two charging docks for the MIC/Transmitter units. In addition to battery charging, the docks provide a storage location for the MIC/Transmitters with space below to stow accessories such as lanyards or lavalier microphones. A transparent rotating front cover provides a measure of protection for controls and equipment. The cover can be locked in the closed position to provide protection from casual tampering. The front cover can also be locked in the open position for installations where the cover may interfere with rack doors or is otherwise undesired.

A remotely mountable IR sensor is provided for detection of the IR signals. This can be positioned for optimum reception in any room, and may be augmented with an additional sensor if needed.

### Orator Includes:

- 1 Receiver/Base Unit (ORB35)
- 2 Security Cover Keys
- 1 or 2 MIC/Transmitters (OMX1):  
*Orator 1 System includes 1 OMX1 unit,  
Orator 2 System includes 2 OMX1 units*
- 2 Dock Selection Tabs (per OMX1)
- 1 Lanyard (per OMX1)
- 1 Lanyard Attachment Plate (per OMX1)
- 1 Rechargeable Li-Ion Battery (per OMX1)
- 5 Blank Identification Label Cards (per OMX1)
- 1 Infrared Sensor (ORS)
- 1 Sensor Cable - 50 ft. (15m) approx.
- 1 Sensor Mounting Bracket (with hardware)



---

**Features:****Receiver/Base Unit (ORB35)**

- 7-Input mixer/amplifier includes 4 AUX inputs, 1 priority paging (25V/70V/Line), and 2 MIC/Transmitter inputs
- Dual front-mounted charging docks for MIC/Transmitters
- Amplifier output power: 35W
- Master Volume, plus separate volume controls for each input
- 8-band EQ: front-mounted bass and treble controls, plus 6-band rear-mounted graphic EQ
- Speaker output impedances: 70V, 25V, or 8-ohms
- Output feeds: booster amp, subwoofer
- Front-mounted AUX input
- Front-mounted system output (for assistive listening devices, recording, etc.)
- Page input with VOX-triggered priority override function
- Rotating, lockable front cover for tamper protection and secure storage of the MIC/Transmitters (2 Keys provided)
- Confirmation Tone with Volume Control (defeatable)

**IR Sensor (ORS)**

- Remotely mounted sensor connects using standard coaxial cable
- Add additional sensors to improve reception in trouble spots
- Coaxial Cable connector
- Surface or T-Bracket mounting

**MIC/Transmitter (OMX1)**

- Can be used as a handheld microphone, as well as worn on a lanyard around the neck, or as a body-pack with external microphone
- Built-in microphone with recessed volume control
- Optimally sized for handheld and pendant use
- Sculpted Comfort Grip for easy handling
- Adjustable lanyard with break-away clasp for neck-worn applications
- Rugged, reliable, spring-wire belt clip
- Use built-in microphone or external microphone (according to user preference)
- AUX input for wireless connection of audio sources (computers, MP3 players, etc.)
- Recharges when placed in Receiver/Base Unit for storage
- Rechargeable, high-capacity Li-ion battery is included
- Comprehensive Battery/Status Indicator
- Mute other MIC/Transmitter in the room via function button (defeatable)
- Initiate intercom call via function button (defeatable)
- Selection Tab ensures each MIC/Transmitter will only store/recharge in its designated charging dock
- ID Label Strip to identify each MIC/Transmitter
- Battery Charge Status Indicator
- Local Microphone Mute
- ON/OFF Power Button

---

**Accessories:**

**OXC1**  
External  
Sync-Charger



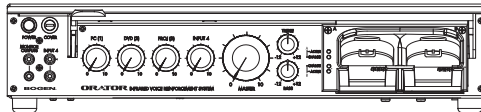
**WMK2**  
Easy Mount  
Wall Bracket



**RPK92**  
Rack Mount  
Bracket

## Technical Specifications:

### ORB35 Receiver/Base Unit



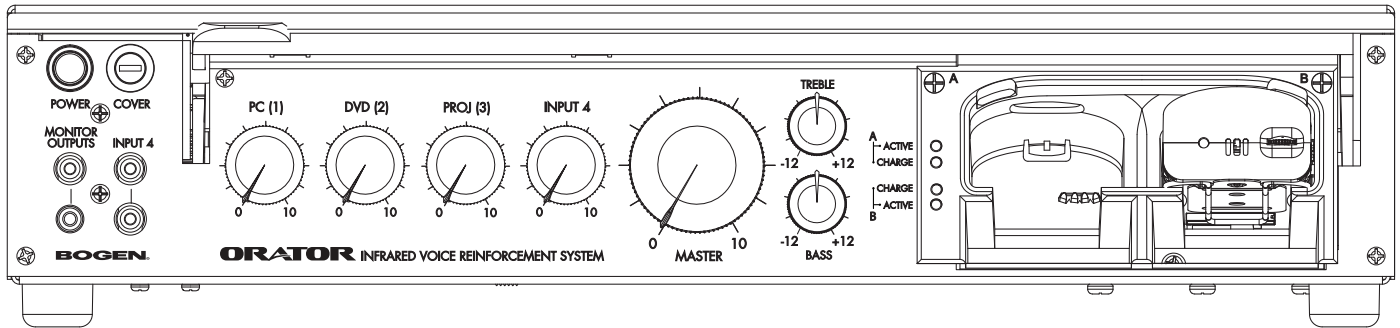
<b>Communication Method:</b>	Infrared Frequency Modulated
<b>Output Power Rating:</b>	35W
<b>Output Speaker Impedance:</b>	Balanced or unbalanced 8-ohms, 25V, 70V
<b>Receiving Channels:</b>	Two independent channels
<b>Carrier Frequency:</b>	4 operational frequencies between 1.8 – 2.7 MHz Selectable as two bands: 1.8/2.4 MHz or 2.1/2.7 MHz
<b>Range (line-of-sight):</b>	Up to 40 ft.
<b>Audio Frequency Response:</b>	60 Hz to 20 kHz AUX inputs, 100 Hz to 10 kHz Channel A & B
<b>S/N Ratio:</b>	> 70 dB AUX/Page inputs; > 60 dB Channel A & B
<b>Distortion:</b>	< 1% AUX inputs, < 3% Channel A & B
<b>Input Sensitivity:</b>	<i>ORB35:</i> AUX: 85mV; Priority Page: 150mV or 25/70V
<b>Input Impedance:</b>	<i>ORB35:</i> AUX: >10k ohms; Priority Page: 1k ohms (min.)
<b>Controls:</b>	<i>Front-Mounted:</i> AUX 1 – 4 Level, Master Volume, Bass and Treble <i>Rear-Mounted:</i> Channel A & B Level, Page Override Level, 6 bands of EQ, Confirmation Tone Level
<b>Audio Inputs:</b>	<i>Front-Mounted:</i> AUX 4 (Stereo combining RCA jacks) <i>Rear-Mounted:</i> AUX 1 – AUX 4 (Stereo combining RCA jacks); Page Override (pluggable terminal strip)
<b>Audio Outputs:</b>	<i>Front-Mounted:</i> Monitor Out (RCA jack and 1/8" Mini) <i>Rear-Mounted:</i> Booster Out and Subwoofer Out (RCA jacks); Speaker connections (pluggable terminal strip)
<b>Switches:</b>	<i>Front-Mounted:</i> Power <i>Rear-Mounted:</i> EQ In/Out, 8-position DIP switch (configuration)
<b>Other Connectors:</b>	<i>Rear-Mounted:</i> Sensor input (F-type Connector) <i>Rear-Mounted:</i> C-form relay contact set (pluggable terminal strip)
<b>EQ:</b>	Bass and Treble controls ( $\pm 12$ dB at 100 Hz and 10 kHz, respectively); 6-Band Graphic EQ ( $\pm 12$ dB at 250, 500, 1k, 2k, 4k, and 8k Hz)
<b>Indicators:</b>	Power; 2 Channel Active (one for each channel), 2 Charging (one for each dock)
<b>Chargers:</b>	Two front-mounted with lockable rotating cover
<b>Locks:</b>	Rotating cover; lock/unlock in both open or closed positions
<b>Power Requirements:</b>	120V AC, 1A
<b>Dimensions:</b>	17.25" W x 3.5" H x 12.5" D
<b>Product Weight:</b>	17 lb.
<b>Safety Certifications:</b>	Listed to UL Standard 60065 for US and Canada

### OMX1 MIC/Transmitter

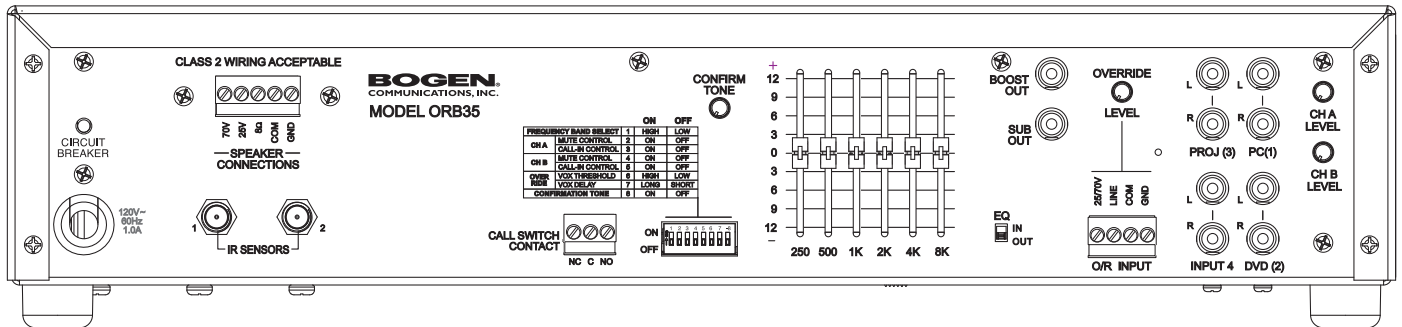


<b>Carrier Frequency:</b>	4 operational frequencies between 1.8 – 2.7 MHz
<b>Audio Input:</b>	Built-in Condenser Microphone; <i>MIC (external):</i> Condenser only, mono 1/8" mini plug, 2V DC through 680 ohms, 1mV sensitivity min. 10 mV max; <i>AUX:</i> Stereo or mono 1/8" mini plug, 3k $\Omega$ (min.) input, 250mV sensitivity
<b>Controls:</b>	On/Off Switch, Input Volume Control, 2 function buttons
<b>Connectors:</b>	<i>MIC (external):</i> mono 1/8" mini style <i>AUX:</i> stereo or mono 1/8" mini style
<b>Batteries:</b>	Li-ion, Rechargeable, Bogen P/N 45-7543-05
<b>Operational Time:</b>	10-15 hours (approx.), depending on transmit frequency
<b>Dimensions:</b>	1.9" W x 4" H x 1.2" D
<b>Product Weight:</b>	4 oz. with battery (approx.)

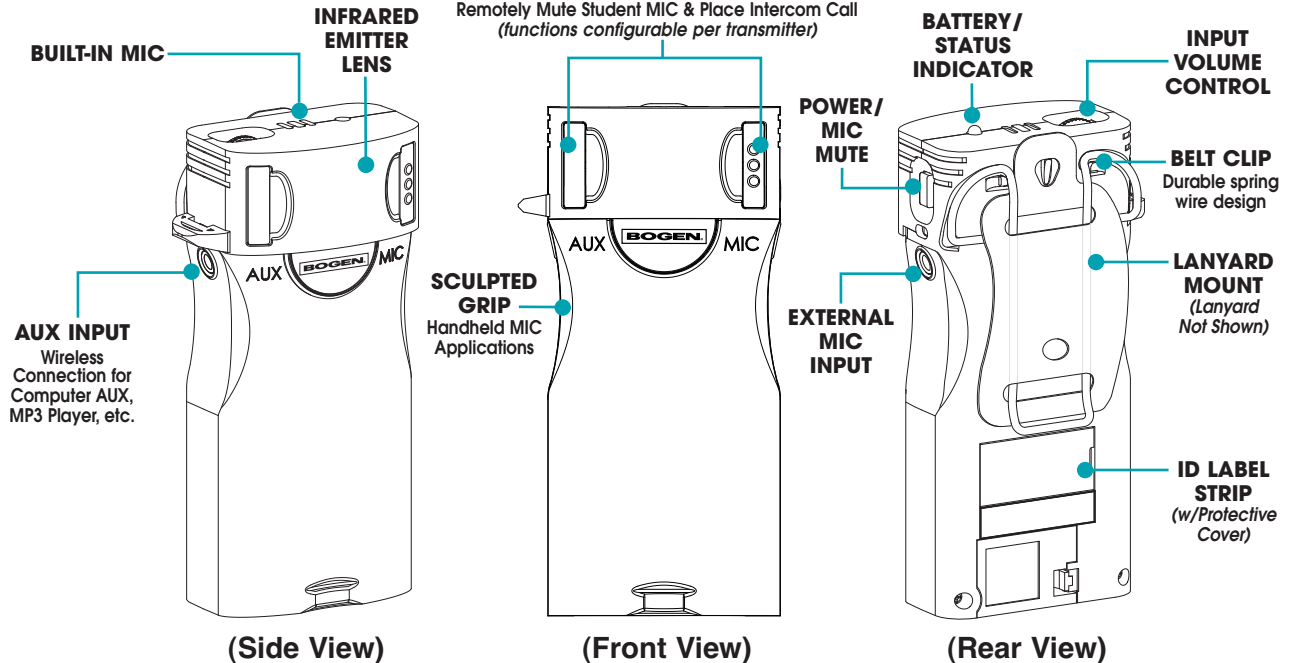
## ORB35 Receiver/Base Unit (Front View)



## ORB35 Receiver/Base Unit (Rear View)



## OMX1 MIC/Transmitter



**BOGEN**<sup>®</sup>  
COMMUNICATIONS, INC.

50 Spring Street, Ramsey, NJ 07446, USA

201-934-8500 • Fax: 201-934-9832

www.bogen.com