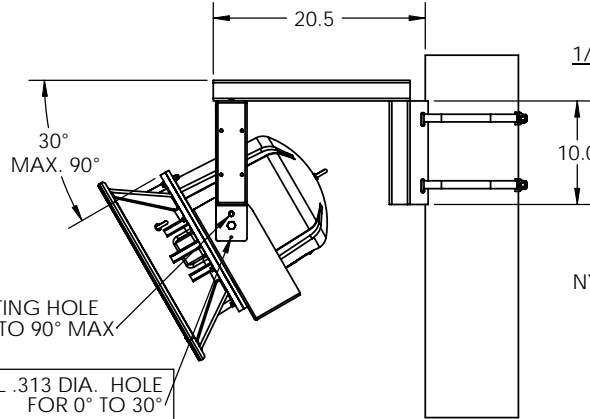
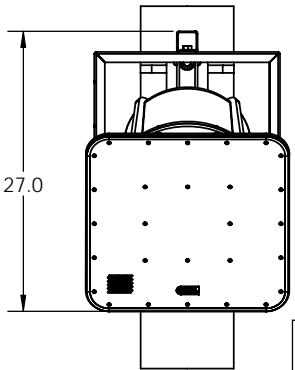
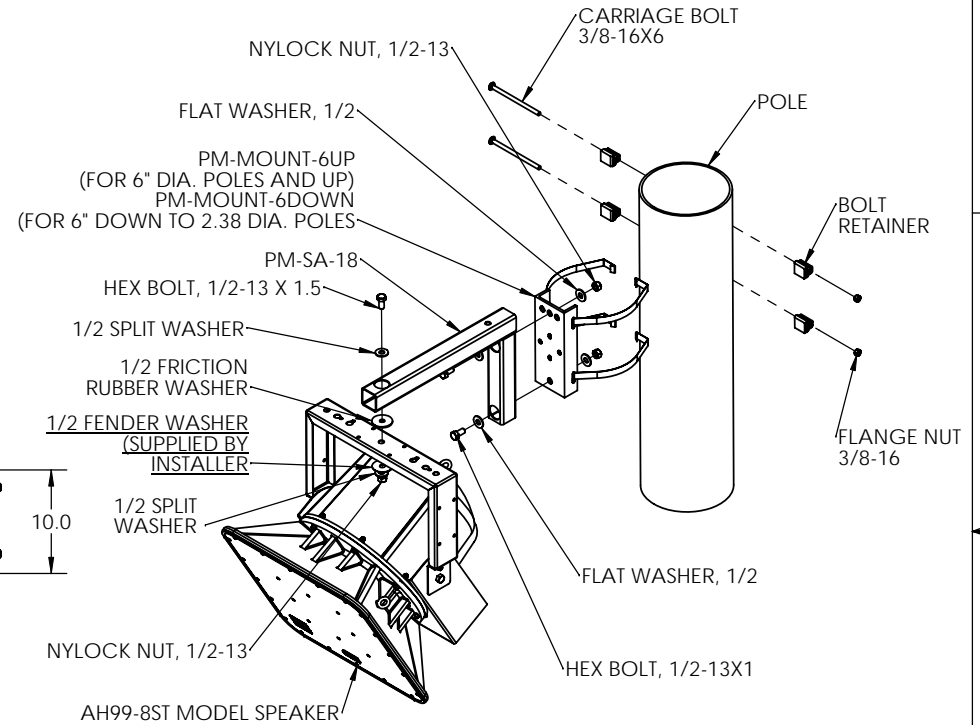
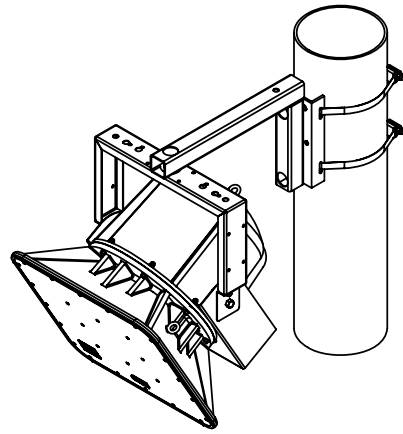
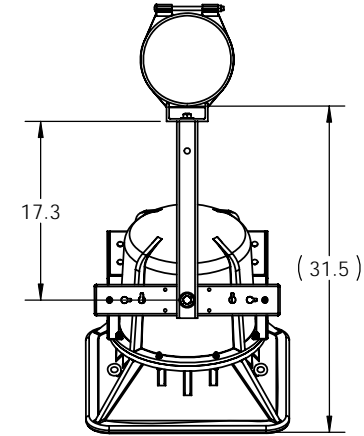


ATLAS AH 8" FLIPPED SPEAKER VIEW



USE EXISTING HOLE FOR 30° TO 90° MAX
ADD/DRILL .313 DIA. HOLE FOR 0° TO 30°

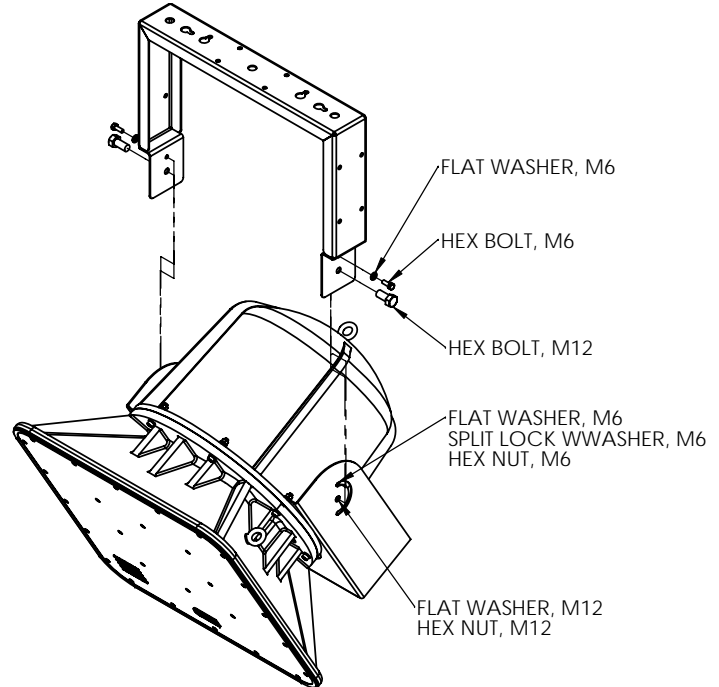
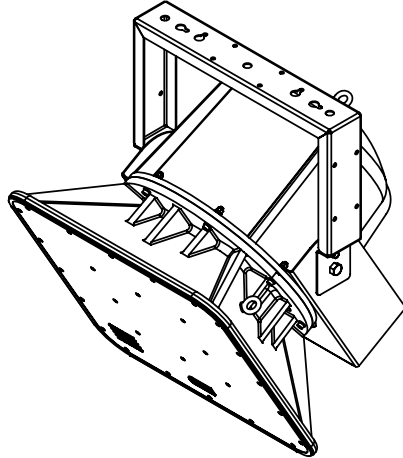
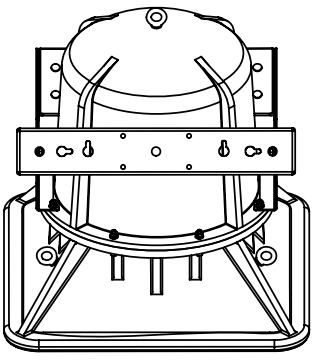
| EQUIPMENT | | | | | |
|--------------|--------------|---|-----|--------------|--------------------|
| ITEM #: | MODEL #: | DESCRIPTION | QTY | WEIGHT (LBS) | ACCUMULATED WEIGHT |
| 1 | AH99-8ST | 8" MODEL SPEAKER | 1 | 65 LBS | 65 LBS |
| 2 | PM-SA-18 | 18" SUPPORT ARM | 1 | 6.8 | 6.8 LBS |
| 3 | PM-MOUNT-6UP | POLE MOUNT FOR 6" AND LARGER DIAMETER POLES | 1 | 5.0 LBS | 5.0 LBS |
| 4 | PM-BAND-30 | BANDING KIT FOR 9" DIA. DOWN TO 4" POLES | 1 | 2.0 LBS | 2.0 LBS |
| TOTAL WEIGHT | | | | | 79 LBS |

NOTES: MUST INSTALL WITH SAFETY CABLE
APPLICATION DRAWING FEATURES THE AH99-8ST. MODELS AH66-8ST AND AH94ST ALSO APPLY TO DESIGN

| | | | | | |
|---|---|-------------|-----------------------|---|--------|
| PROPRIETARY AND CONFIDENTIAL THIS DRAWING IS THE PROPERTY OF ALLEN PRODUCTS CO. AND EMBODIES A PROPRIETARY DESIGN ORIGINATED BY ALLEN PRODUCTS CO. ALL DESIGN, MANUFACTURE, REPRODUCTION, USE AND SALE RIGHTS REGARDING THE SAME ARE EXPRESSLY RESERVED. THIS DRAWING MAY NOT BE REPRODUCED OR INFORMATION HEREIN TRANSMITTED IN ANY WAY WITHOUT WRITTEN CONSENT FROM ALLEN PRODUCTS CO. ALL PATENT RIGHTS HERETO ARE EXPRESSLY RESERVED BY ALLEN PRODUCTS CO. SIGNAL HILL CALIFORNIA | UNLESS OTHERWISE SPECIFIED: | NAME | DATE | Allen Products Company Inc. 1635 E. Burnett Street Signal Hill, CA 90755 Tel: 562-424-1100 Fax: 562-424-3520 | |
| | DIMENSIONS ARE IN INCHES TOLERANCES: FRACTIONAL ± 1/64 ANGULAR: MACH ± .5° TWO PLACE DECIMAL ± .03 THREE PLACE DECIMAL ± .01 | DRAWN | TL | | 102706 |
| | INTERPRET GEOMETRIC TOLERANCING PER: | CHECKED | | | |
| | MATERIAL | ENG APPR. | | | |
| FINISH | MFG APPR. | | | TITLE: FLIPPED SINGLE MODEL POLESTAR AH8 SINGLE APP | |
| DO NOT SCALE DRAWING | COMMENTS: | NEXT ASSY: | | USED ON: | |
| | | SIZE | DWG. NO. | REV | |
| | | B | AH99-8ST SINGLE MODEL | 01 | |
| | | SCALE: 1:12 | WEIGHT: | SHEET 1 OF 2 | |

8 7 6 5 4 3 2 1

D



FLAT WASHER, M6

HEX BOLT, M6

HEX BOLT, M12

FLAT WASHER, M6
SPLIT LOCK W/WASHER, M6
HEX NUT, M6

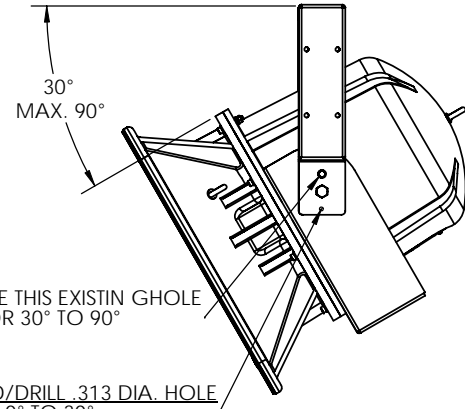
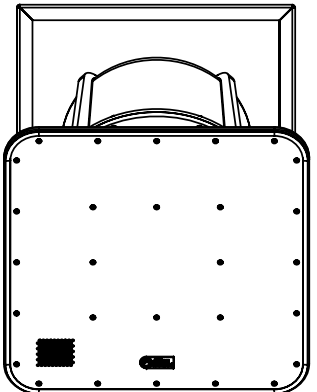
FLAT WASHER, M12
HEX NUT, M12

C

C

B

B




30°
MAX. 90°

USE THIS EXISTING HOLE
FOR 30° TO 90°

ADD/DRILL .313 DIA. HOLE
FOR 0° TO 30°

A

A

| | | | | | | | |
|---|--------------------------------------|-----------|------|---|--|---------------------------------------|---------------|
| <p>PROPRIETARY AND CONFIDENTIAL</p> <p>THIS DRAWING IS THE PROPERTY OF ALLEN PRODUCTS CO. AND EMBODIES A PROPRIETY DESIGN ORIGINATED BY ALLEN PRODUCTS CO. ALL DESIGN, MANUFACTURE, REPRODUCTION, USE AND SALE RIGHTS REGARDING THE SAME ARE EXPRESSLY RESERVED. THIS DRAWING MAY NOT BE REPRODUCED OR INFORMATION HEREIN TRANSMITTED IN ANY WAY WITHOUT WRITTEN CONSENT FROM ALLEN PRODUCTS CO. ALL PATENT RIGHTS HERETO ARE EXPRESSLY RESERVED BY ALLEN PRODUCTS CO. SIGNAL HILL, CALIFORNIA</p> | UNLESS OTHERWISE SPECIFIED: | NAME | DATE |  <p>Allen Products Company Inc. 1635 E. Burnett Street Signal Hill, CA 90755 Tel: 562-424-1100 Fax: 562-424-3520</p> | | | |
| | DIMENSIONS ARE IN INCHES | DRAWN | TBA | | 101207 | | |
| | TOLERANCES: | CHECKED | | | | | |
| | FRACTIONAL: ± 1/64 | ENG APPR. | | | | | |
| | ANGULAR: MACH ± .5° | MFG APPR. | | | TITLE: FLIPPED SINGLE MODEL POLESTAR AH8 SINGLE APP | | |
| | TWO PLACE DECIMAL: ± .03 | Q.A. | | | NEXT ASSY: | | |
| | THREE PLACE DECIMAL: ± .01 | COMMENTS: | | | USED ON: | | |
| | INTERPRET GEOMETRIC TOLERANCING PER: | | | | SIZE B | DWG. NO. AH99-8ST SINGLE MODEL | REV 00 |
| | MATERIAL: | | | | SCALE: 1:16 | WEIGHT: | SHEET 2 OF 2 |
| | FINISH: | | | | | | |
| DO NOT SCALE DRAWING | | | | | | | |

8 7 6 5 4 3 2 1