



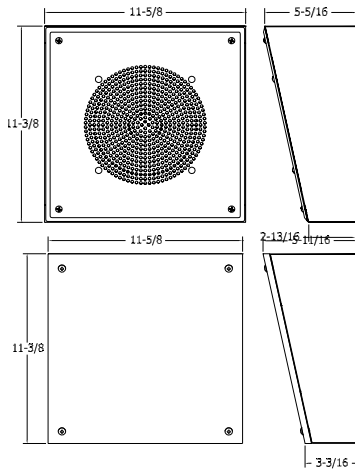
SYSTEM3 Series

Wall Mounted, Slanted, White
25/70V, Color Coded Leads

SYSTEM4 Series

Wall Mounted, Slanted, Black
25/70V, Color Coded Leads

SURFACE MOUNTED LOUDSPEAKER ASSEMBLY



SYSTEM3
SYSTEM3/VC

SYSTEM4
SYSTEM4/VC



SYSTEM4 shown

GENERAL DESCRIPTION

The SYSTEM3 Series is a complete loudspeaker assembly with an O.D. loudspeaker with concentric mount hard fiber HF cone, 5W- 25/70.7V transformer, optional volume control, 22 gage steel baffle and 22 gage steel slanted enclosure. Finish: White baked epoxy hybrid.

The SYSTEM4 Series is a complete loudspeaker assembly with an O.D. loudspeaker with concentric mount hard fiber HF cone, 5W- 25/70.7V transformer, optional volume control, wood baffle with cloth wrapped grille and 22 gage steel slanted enclosure.

Finish: Black baked epoxy hybrid enclosure, wood baffle, charcoal gray cloth wrap.

SYSTEM COMPONENTS

Loudspeaker	8C5PAX
Transformer	25/70V 5W-5 tap Color coded leads (5W, 2.5W, 1.25W, 0.63W, 0.31W)

MODELS AVAILABLE

SYSTEM3	White, no attenuator
SYSTEM3/VC	White, with attenuator
SYSTEM4	Black, no attenuator

AUDIO SPECIFICATIONS

Average Sensitivity	92 dB-SPL 1W/1M
Loudspeaker Power Rating	12W RMS EIA 426A Standard
Calculated Maximum System Output	99 dB-SPL 5W/1M
Magnet Type, Weight	BeFe Ceramic, 4.8 oz.
Frequency Response	65 Hz - 17 kHz EIA 426A Standard
Nominal Coverage Angle	100° included angle -6 dB/ 2 kHz, half space
Audio Connection	Pre-cut 7" color coded leads

INTENDED USE

Vertical surface mount, downward fring, interior environment
Program Material: Signal tones, voice and music

Recommended construction sequences, installation instructions and A&E Specifications are available in various formats in the QUAM Architects' and Engineers' Resources section on the web at: www.QuamSpeakers.com

QUAM-NICHOLS COMPANY

234 East Marquette Road, Chicago IL 60637
Phone: (800) NEED NOW Fax: (888) NEED NOW
(800) 633-3669 (888) 633-3669

E-Mail: NeedNow@QNC.com www.QuamSpeakers.com

