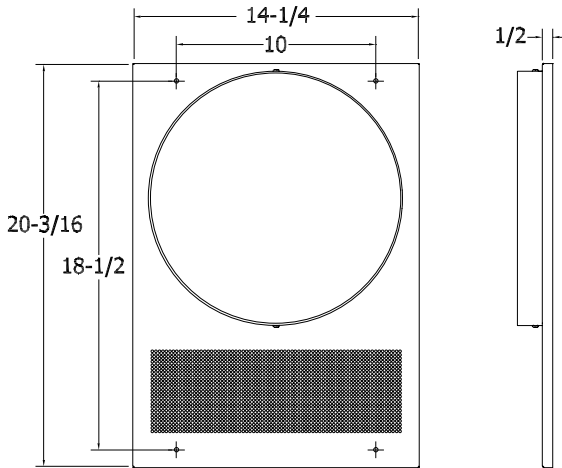




C5/BU/CK1/D C5/BU/CK1/S

Clock baffle with Speaker
25/70V, Color Coded Leads

SURFACE MOUNTED LOUDSPEAKER ASSEMBLY



GENERAL DESCRIPTION

The C5/BU/CK1/D and C5/BU/CK1/S are a complete loudspeaker assembly with a 8" O.D. loudspeaker with concentric mount hard fiber HF cone, 5/70.7V transformer and 16 gage steel baffle. Clock mechanism is supplied by others. Finish: White baked epoxy hybrid.

SYSTEM COMPONENTS

Loudspeaker	8C5PAX
Transformer	25/70V 5W-5 tap Color coded leads (5W, 2.5W, 1.25W, 0.63W, 0.31W)
Baffle- C5/BU/CK1/D	Dukane® analog
Baffle- C5/BU/CK1/S	Sapling® analog

REQUIRED ADDITIONAL COMPONENT

ES8-CK	Flush mount enclosure for either assembly
--------	---

AUDIO SPECIFICATIONS

Average Sensitivity	92dB-SPL 1W/1M
Loudspeaker Power Rating	12W RMS EIA 426A Standard
Calculated Maximum System Output	99 dB-SPL 5W/1M
Magnet Type, Weight	BeFe Ceramic, 4.8 oz.
Frequency response	65 Hz - 17 kHz EIA 426A Standard
Nominal Coverage Angle	90° included angle -6 dB/ 2 kHz, half space
Audio Connection	Pre-cut 7" color coded leads

INTENDED USE

Used with listed analog repeater clock mechanisms supplied by others. Loudspeaker may be oriented up, down, left or right of the display; indoor environment.

Program Material: Music, voice and signal tones

Recommended construction sequences, installation instructions and A&E Specifications are available in various formats in the QUAM Architects' and Engineers' Resources section on the web at: www.QuamSpeakers.com

QUAM-NICHOLS COMPANY

234 East Marquette Road, Chicago IL 60637
Phone: (800) NEED NOW Fax: (888) NEED NOW
(800) 633-3669 (888) 633-3669

E-Mail: NeedNow@QNC.com www.QuamSpeakers.com

