

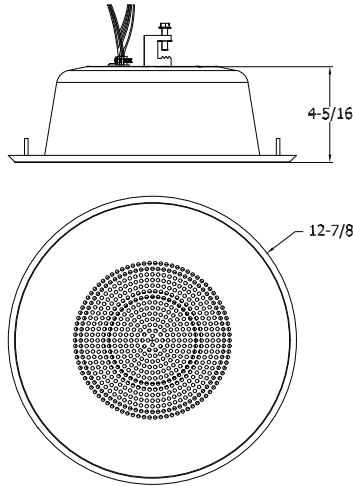


Quam

BB2
 Beam Mount Speaker Assembly,
 25/70.7V Transformer, Wire leads
BB2/70RS
 Beam Mount Speaker Assembly,
 70.7V Rotary Tap Select

01
LOUDSPEAKER ASSEMBLIES

0102- SURFACE MOUNTED SPEAKER SYSTEMS



GENERAL DESCRIPTION

The BB2 is a complete beam mount loudspeaker assembly with a 8" O.D. full range speaker, multiple transformer options, perforated 22 gage steel baffle, 16 gage steel back box and two (2) beam clamps.
 Finish: Baked epoxy hybrid

INTENDED USE

Mounted to a steel "I" beam of 5.25" maximum width, downward firing in an indoor environment.
 Program material: Signal tones, voice and music

AUDIO SPECIFICATIONS

Average Sensitivity	95 dB-SPL, 1W/1M
Loudspeaker Power Rating	20W RMS, EIA 426A Standard
Calculated Maximum System Output	BB2- 102 dB-SPL, 5W/1M BB2/70RS- 101 dB-SPL, 4W/1M
Magnet Type, Weight	BeFe Ceramic, 10 oz. Nominal
Frequency Response	65Hz - 17 kHz EIA 462A Standard
Nominal Coverage Angle	90° Included angle, -6 dB / 2 kHz, Half space
Audio Connection	7" color-coded pigtails, pre-cut

COMPONENTS AND ORDER OPTIONS

Loudspeaker	8C10PAX
Transformers	
BB2	5W*, 25V/70.7V pig-tail
BB2/70RS	4W**, 70.7V Rotary Select
	* 5W, 2.5W, 1.25W, 0.63W, 0.31W
	** 4W, 2W, 1W, 0.5W, 0.25W
Baffle	BR8WS
Back Box	ERD8U, Round, 275 CID, with two (2) installed beam clamps

Recommended construction sequences, installation instructions and A&E Specifications are available in various formats on the Quam Architects' and Engineers' Resources CD or on the web at: www.quamspeakers.com

FINISH OPTIONS

White	Order as BB2 -or- BB2/70RS
Black	Order as BB2/B -or- BB2/70RS/B

Quam-Nichols Company

234 East Marquette Road, Chicago, IL 60637
 Phone: (800) NEED NOW Fax: (888) NEED NOW
 (800) 633 - 3669 (888) 633 - 3669
 E-Mail: neednow@qnc.com www.quamspeakers.com

