

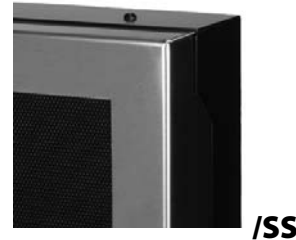
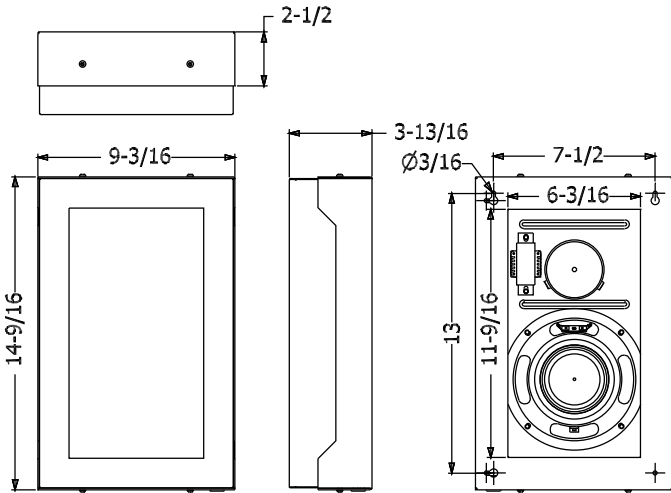


# Quam

## FM7Q2/70 Series

Tuned Surface Mount Enclosure  
70V, Rotary Select

### FOREGROUND MUSIC SPEAKER SYSTEM



#### GENERAL DESCRIPTION

The FM7Q2/70 Series is a complete 2-way surface mount loudspeaker with a 6-1/2" O.D. woofer and 1" dome tweeter, 20W-70V, low loss, extended frequency response, rotary select transformer with 8-Ohm position, steel 'MicroPerf' grille and steel frame.

Color finishes are baked epoxy hybrid; models as described by suffix.

#### INTENDED USE

Protected outdoor or indoor environment, surface mount, horizontal or vertical installation

Program Material: Signal tones, voice and music

#### SYSTEM COMPONENTS

|             |   |
|-------------|---|
| Transformer | 70V or 8-Ohm, 20W-5 tap , Rotary Select (20W, 10W, 5W, 2.5W, 1.25W) |
|-------------|---|

#### MODELS

#### FINISH OPTIONS

|             |                                       |
|-------------|---------------------------------------|
| FM7Q2/70/W  | All White                             |
| FM7Q2/70/B  | All Black                             |
| FM7Q2/70/SS | Stainless frame, black frame and back |

#### AUDIO SPECIFICATIONS

|                                  |  |
|----------------------------------|--|
| Average Sensitivity              | 91 dB-SPL 1W/1M                              |
| Loudspeaker Power Rating         | 30W RMS EIA 426A Standard                    |
| 8-Ohm Tap Output                 | 91 dB-SPL 1W/1M                              |
| Calculated Maximum System Output | 103 dB-SPL 20W/1M, 70V mode                  |
| Frequency Response               | 60 Hz - 20 kHz EIA 426A Standard             |
| Nominal Coverage Angle           | 90° Included Angle, -6 dB/ 2 kHz, half space |
| Audio Connection                 | Binding screw                                |

Recommended construction sequences, installation instructions and A&E Specifications, are available in various formats in the QUAM Architects' and Engineers' Resources section on the web at: [www.QuamSpeakers.com](http://www.QuamSpeakers.com)

#### QUAM-NICHOLS COMPANY

234 East Marquette Road, Chicago IL 60637  
Phone: (800) NEED NOW Fax: (888) NEED NOW  
(800) 633-3669 (888) 633-3669

E-Mail: [NeedNow@QNC.com](mailto:NeedNow@QNC.com) [www.QuamSpeakers.com](http://www.QuamSpeakers.com)

