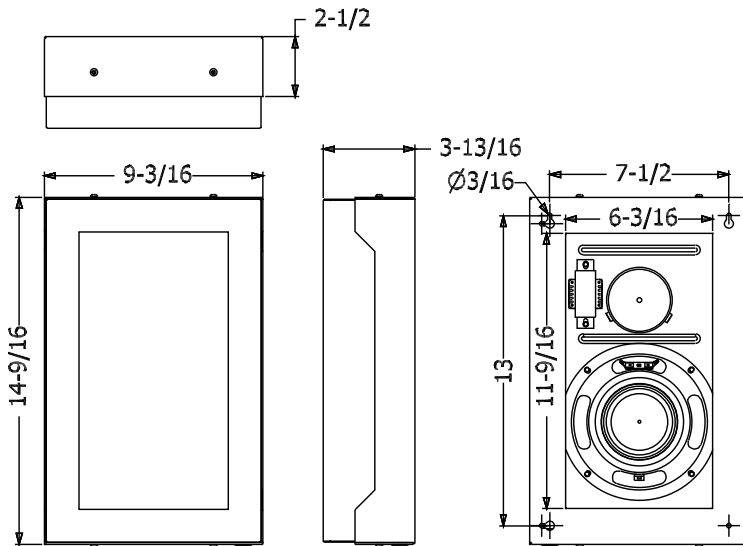




FM7Q2/8 Series

Tuned Surface Mount Enclosure
8-Ohm

FOREGROUND MUSIC SPEAKER SYSTEM



GENERAL DESCRIPTION

The FM7Q2/8 Series is a complete 2-way surface mount loudspeaker with a 6-1/2" O.D. woofer and 1" dome tweeter, 8-Ohm operation, steel 'MicroPerf' grille and steel frame. Finish: Baked epoxy hybrid

INTENDED USE

Protected outdoor or indoor environment, surface mount, horizontal or vertical installation
Program Material: Signal tones, voice and music

MODEL	FINISH
FM7Q2/8/W	All White
FM7Q2/8/B	All Black
FM7Q2/8/SS	Stainless frame, black frame and back

AUDIO SPECIFICATIONS

Average Sensitivity	91 dB-SPL 1W/1M
Loudspeaker Power Rating	30W RMS EIA 426A Standard
Calculated Maximum System Output	103 dB-SPL 20W/1M
Frequency Response	60 Hz - 20 kHz EIA 426A Standard
Nominal Coverage Angle	90° Included angle, -6 dB/ 2 kHz, half space
Audio Connection	Binding screw

Recommended construction sequences, installation instructions and A&E Specifications, are available in various formats in the QUAM Architects' and Engineers' Resources section on the web at: www.QuamSpeakers.com

QUAM-NICHOLS COMPANY

234 East Marquette Road, Chicago IL 60637
Phone: (800) NEED NOW Fax: (888) NEED NOW
(800) 633-3669 (888) 633-3669
E-Mail: NeedNow@QNC.com www.QuamSpeakers.com

