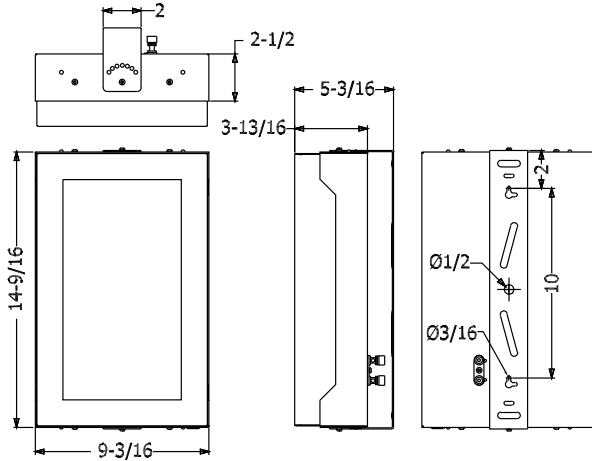




Quam

FM7Q1/25 Series Tuned Enclosure with Mounting Bracket 25V, Rotary Select

FOREGROUND MUSIC SPEAKER SYSTEM



GENERAL DESCRIPTION

The FM7Q1/25 Series is a complete 2-way loudspeaker with a 6-1/2" O.D. woofer and 1" dome tweeter, 20W-25V, low loss, extended frequency response, rotary select transformer with 8-Ohm position, steel 'MicroPerf' grille, steel frame and multiple position "U" bracket.

Color finishes are baked epoxy hybrid; models as described by suffix.

INTENDED USE

Protected outdoor or indoor environment, surface mount, horizontal or vertical installation

Program Material: Signal tones, voice and music

SYSTEM COMPONENTS

Transformer	25V 20W-5 tap or 8-Ohm, Rotary Select (20W, 10W, 5W, 2.5W, 1.25W)
-------------	---

MODELS

FINISH OPTIONS

FM7Q1/25/W	All White
FM7Q1/25/B	All Black
FM7Q1/25/SS	Stainless frame, black frame and back

AUDIO SPECIFICATIONS

Average Sensitivity	91 dB-SPL 1W/1M
Loudspeaker Power Rating	30W RMS EIA 426A Standard
8-Ohm Tap Output	91 dB-SPL 1W/1M
Calculated Maximum System Output	103 dB-SPL 20W/1M, 25V mode
Frequency Response	60 Hz - 20 kHz EIA 426A Standard
Nominal Coverage Angle	90° included angle -6 dB/ 2 kHz half space
Audio Connection	Binding screw

Recommended construction sequences, installation instructions and A&E Specifications, are available in various formats in the QUAM Architects' and Engineers' Resources section on the web at: www.QuamSpeakers.com

QUAM-NICHOLS COMPANY

234 East Marquette Road, Chicago IL 60637
Phone: (800) NEED NOW Fax: (888) NEED NOW
(800) 633-3669 (888) 633-3669

E-Mail: NeedNow@QNC.com www.QuamSpeakers.com

