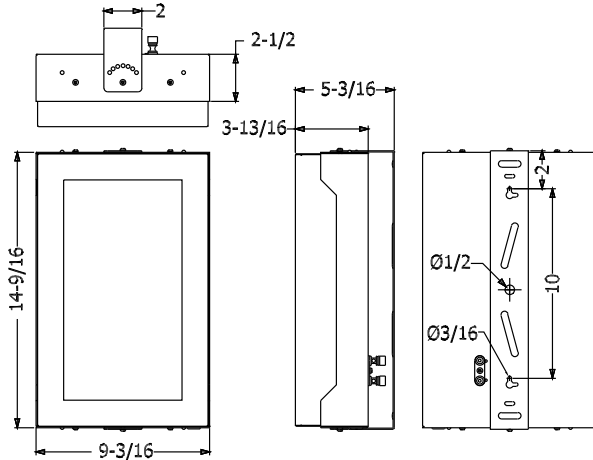




Quam

FM7Q1/8 Series Tuned Enclosure with Mounting Bracket 8-Ohm

FOREGROUND MUSIC SPEAKER SYSTEM



/SS

GENERAL DESCRIPTION

The FM7Q1/8 Series is a complete 2-way loudspeaker with a 6-1/2" O.D. woofer and 1" dome tweeter, 8-Ohm operation, steel 'MicroPerf' grille, steel frame and multiple position "U" bracket. Color finishes are baked epoxy hybrid; models as described by suffix.

INTENDED USE

Protected outdoor or indoor environment, surface mount, horizontal or vertical installation

Program Material: Signal tones, voice and music

MODELS

FINISH OPTIONS

| MODELS | FINISH OPTIONS |
|------------|---------------------------------------|
| FM7Q1/8/W | All White |
| FM7Q1/8/B | All Black |
| FM7Q1/8/SS | Stainless frame, black frame and back |

AUDIO SPECIFICATIONS

| | |
|----------------------------------|--|
| Average Sensitivity | 91 dB-SPL 1W/1M |
| Loudspeaker Power Rating | 30W RMS EIA 426A Standard |
| Calculated Maximum System Output | 103 dB-SPL 20W/1M |
| Frequency Response | 60 Hz - 20 kHz EIA 426A Standard |
| Nominal Coverage Angle | 90° included angle -6 dB/ 2 kHz half space |
| Audio Connection | Binding screw |

Recommended construction sequences, installation instructions and A&E Specifications, are available in various formats in the QUAM Architects' and Engineers' Resources section on the web at: www.QuamSpeakers.com

QUAM-NICHOLS COMPANY

234 East Marquette Road, Chicago IL 60637

Phone: (800) NEED NOW Fax: (888) NEED NOW

(800) 633-3669 (888) 633-3669

E-Mail: NeedNow@QNC.com www.QuamSpeakers.com

