

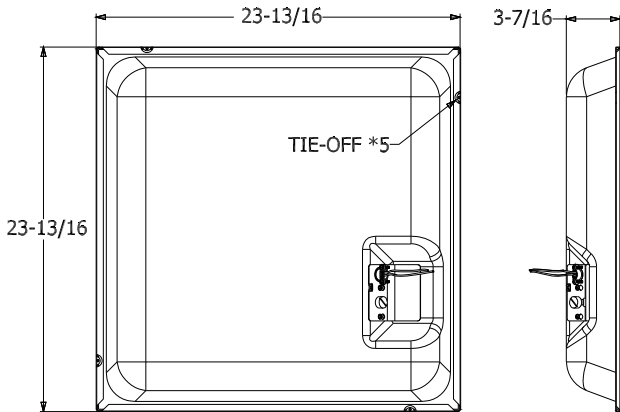


# Quam

## SYSTEM 19

Complete 2' x 2' class UL Listed Speaker System  
Sealed and tuned enclosure, 70V Rotary Select

### TILE REPLACEMENT LOUDSPEAKER ASSEMBLY



#### GENERAL DESCRIPTION

The SYSTEM 19 Series is a complete shallow depth, lightweight loudspeaker assembly with a 6-1/2" O.D. woofer and 1" dome tweeter, multi-tap transformer, perforated steel baffle and integral molded 1,412 CID fiber enclosure. Cable clamp is included; five (5) seismic tie-off points. No assembly required.

Grille finish: Baked epoxy hybrid

#### SYSTEM COMPONENTS

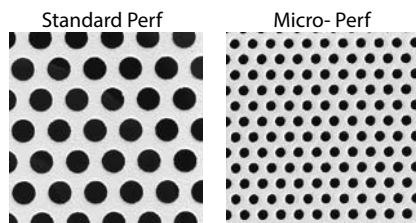
Transformer	70V 20W-5 tap Rotary Select (20W, 10W, 5W, 2.5W, 1.25W)
-------------	---

#### MODELS

#### GRILLE OPTIONS

SYSTEM 19	Standard Perf White
SYSTEM 19/B	Standard Perf Black
SYSTEM 19/MP	Micro-Perf White*
SYSTEM 19/MP/B	Micro-Perf Black*

\* These products have not been submitted to UL



Shown as 1" square samples

#### ACCESSORY

Kit #112	One 24" "T"-bar, white. Use with 2' x 2' Tile Replacement Loudspeaker in a 2' x 4' ceiling tile
----------	---

#### AUDIO SPECIFICATIONS

Average Sensitivity	91 dB-SPL 1W/1M
Loudspeaker Power Rating	30W-RMS EIA 426A Standard
Calculated Maximum System Output	104 dB-SPL 20W/1M
Frequency Response	60 Hz - 20 kHz EIA 426A Standard
Nominal Coverage Angle	100° included angle -6 dB/ 2 kHz half space
Audio Connection	Pre-cut 7" color-coded leads

#### INTENDED USE

Indoor environment, mounted parallel to floor plane in a 24" wide suspended ceiling tile grid.

Program Material: Signal tones, voice and music.

#### UL Listed 1480- (UEAY, UEAY7- Canada)

As a **General Signaling** device- When installed with supplied installation instructions and requirements of NEC /AHJ.

#### UL Listed 2043

Suitable for use in air-handling spaces.

Recommended construction sequences, installation instructions and A&E Specifications, EASE .GLL / .CLF data files are available in various formats in the QUAM Architects' and Engineers' Resources section on the web at: [www.QuamSpeakers.com](http://www.QuamSpeakers.com)

#### QUAM-NICHOLS COMPANY

234 East Marquette Road, Chicago IL 60637  
Phone: (800) NEED NOW Fax: (888) NEED NOW  
(800) 633-3669 (888) 633-3669  
E-Mail: [NeedNow@QNC.com](mailto:NeedNow@QNC.com) [www.QuamSpeakers.com](http://www.QuamSpeakers.com)

SIGNALING



.GLL / .CLF DATA

