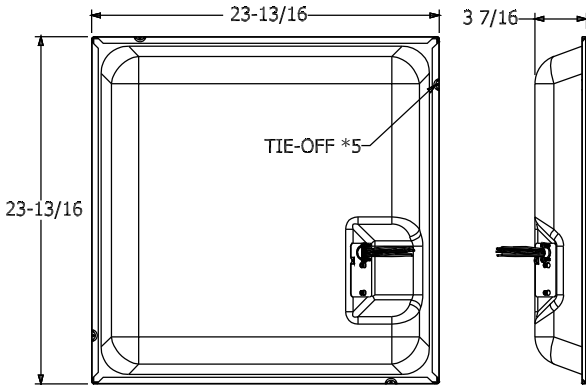




SYSTEM 15

Complete 2' x 2' class Speaker System
Sealed and tuned enclosure, 70V color coded leads

TILE REPLACEMENT LOUDSPEAKER ASSEMBLY



GENERAL DESCRIPTION

The SYSTEM 15 Series is a complete shallow depth, lightweight loudspeaker assembly with an 8" O.D. loudspeaker with foam edge surround and coaxial mount piezoelectric ceramic HF, multi-tap extended frequency response low-loss transformer, perforated steel baffle and integral molded 1,411 CID fiber enclosure. Cable clamp is included; five (5) seismic tie-off points. No assembly required. Grille finish: Baked epoxy hybrid

SYSTEM COMPONENTS

Loudspeaker	8C10FEPAX
Transformer	70V 10W-5 tap color coded leads (10W, 5W, 2.5W, 1.25W, 0.63W)

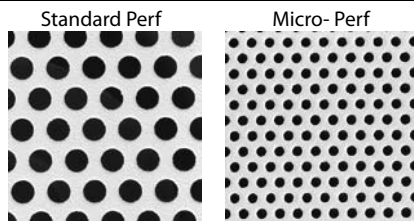
AUDIO SPECIFICATIONS

Average Sensitivity	95 dB-SPL 1W/1M
Loudspeaker Power Rating	20W-RMS EIA 426A Standard
Calculated Maximum System Output	105 dB-SPL 10W/1M
Magnet Type	10 oz. BeFe Ceramic
Frequency Response	40 Hz-20 kHz EIA 426A Standard
Nominal Coverage Angle	100° included angle -6 dB/ 2 kHz half space
Audio Connection	Pre-cut 7" color-coded leads

MODELS

GRILLE OPTIONS

SYSTEM 15	Standard Perf White
SYSTEM 15/B	Standard Perf Black
SYSTEM 15/MP	Micro-Perf White
SYSTEM 15/MP/B	Micro-Perf Black



Shown as 1" square samples

INTENDED USE

Indoor environment, mounted parallel to floor plane in a 24" wide suspended ceiling tile grid.
Program Material: Signal tones, voice and music.

Recommended construction sequences, installation instructions and A&E Specifications are available in various formats in the QUAM Architects' and Engineers' Resources section on the web at: www.QuamSpeakers.com

ACCESSORY

Kit #112	One 24" "T"-bar, white. Use with 2' x 2' Tile Replacement Loudspeaker in a 2' x 4' ceiling tile
----------	---

QUAM-NICHOLS COMPANY

234 East Marquette Road, Chicago IL 60637
Phone: (800) NEED NOW Fax: (888) NEED NOW
(800) 633-3669 (888) 633-3669
E-Mail: NeedNow@QNC.com www.QuamSpeakers.com



**(1' x 2') SYSTEM 5/VC, SYSTEM 14 (all), SYSTEM 16 (all), SYSTEM 18 (all)
(2' x 2') SYSTEM 12/VC, SYSTEM 15 (all), SYSTEM 17 all)**

INTENDED USE:

All versions: Indoor environment, mounted parallel to floor plane in a 24" wide, suspended ceiling tile grid; mount height 18' or less above floor plane.

Program material: Signal tones, voice and music.

1. Cut ceiling tile as required:

- 1' x 2' **FORMAT LOUDSPEAKER**
 - 2' x 2' tile – Cut tile in half along one axis.
 - 2' x 4' tile – Cut 12" from edge along 2' axis and discard smaller piece.
- 2' x 2' **FORMAT LOUDSPEAKER**
 - 2' x 2' tile – No cutting required.
 - 2' x 4' tile – Cut tile in half along 2' axis.

! **Steps 2-3** – Required only if using conduit clamp fitting *other than what is provided* with product.

2. Loosen, but do not remove screws on cover plate; push up and remove plate from assembly.

3. Remove cable /conduit clamp fitting from plate; Install UL Listed metallic enclosure entry fitting for plenum cable or flex whip.

4. Feed supply cable through whip to connector.

Make connections per wiring diagrams below; insulate all unused taps from each other, the enclosure and electrical ground.

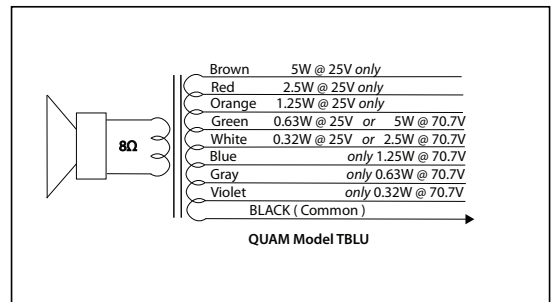
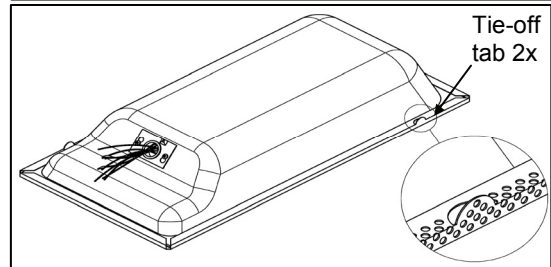
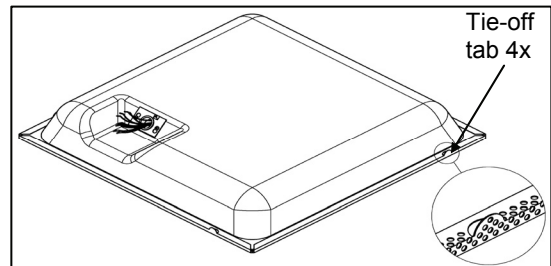
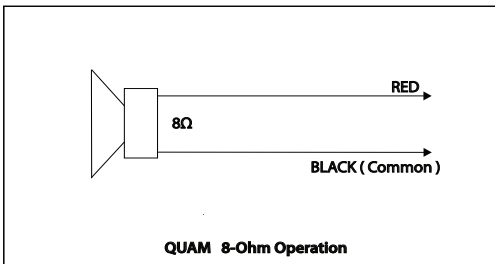
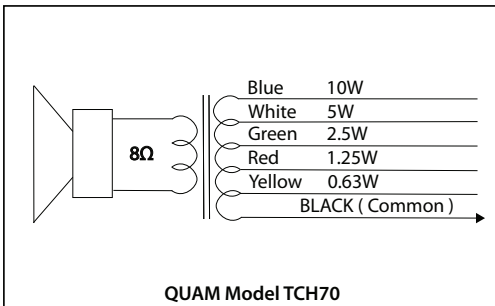
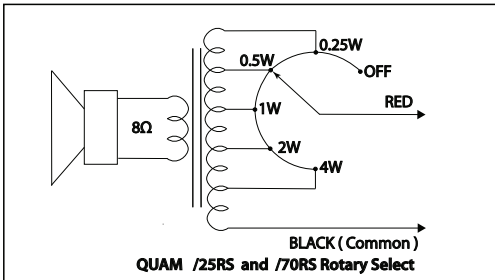
When cover plate is secured, all connections / splices and unused leads must be inside of the enclosure.

5. Place assembly onto ceiling grid, install 24" T-bar trim piece where required (furnished only with specific 1'x2' formats).

NOTE! AHJ/ local codes may require tie-off to structure. Bend up tie-off tabs as shown in illustration and install as directed.

NOTE! AHJ/ local codes may require tie-down to grid. Recommended fasteners; *not supplied.* Erico/Caddy part ATA4i and 1/4"-20 x 2" bolt, or equivalent. Install as directed.

6. Place remaining ceiling tile into opening as required.



Quam

234 East Marquette Road, Chicago, IL 60637
 Phone: (800) NEED NOW Fax: (888) NEED NOW
 (800) 633 - 3669 (888) 633 - 3669
 E-Mail: neednow@qnc.com www.quamspeakers.com

