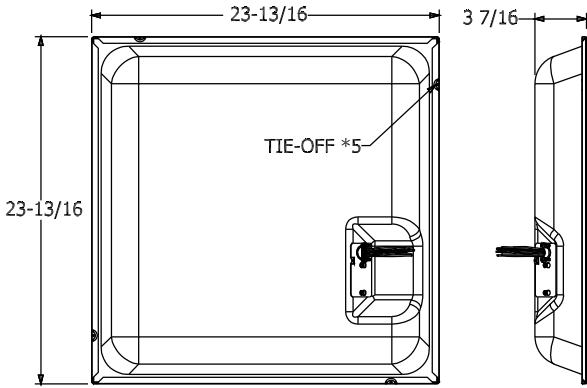




# SYSTEM 12/8

Complete 2' x 2' class UL Listed Speaker System  
Sealed and tuned enclosure, 8-Ohm

## TILE REPLACEMENT LOUDSPEAKER ASSEMBLY



### GENERAL DESCRIPTION

The SYSTEM 12/8 Series is a complete shallow depth, lightweight loudspeaker assembly with an 8" O.D. loudspeaker with concentric mount hard fiber HF cone, perforated steel baffle and integral molded 1,411 CID fiber enclosure. Cable clamp is included; five (5) seismic tie-off points. No assembly required.  
Grille finish: Baked epoxy hybrid

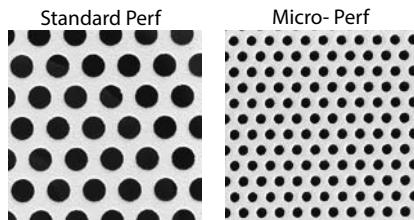
### SYSTEM COMPONENTS

Loudspeaker	8C5PAX
-------------	--------

### MODELS                      GRILLE OPTIONS

SYSTEM 12/8	Standard Perf White
SYSTEM 12/8/B	Standard Perf Black
SYSTEM 12/8/MP	Micro-Perf White*
SYSTEM 12/8/B/MP	Micro-Perf Black*

\* These products have not been submitted to UL or City of Chicago



Shown as 1" square samples

### ACCESSORY

Kit #112	One 24" "T"-bar, white. Use with 2' x 2' Tile Replacement Loudspeaker in a 2' x 4' ceiling tile
----------	---

### AUDIO SPECIFICATIONS

Average Sensitivity	92 dB-SPL 1W/1M
Loudspeaker Power Rating	12W-RMS EIA 426A Standard
Calculated Maximum System Output	103 dB-SPL 12W/1M
Magnet Type	4.8 oz. BeFe Ceramic
Frequency Response	65 Hz-17 kHz EIA 426A Standard
Nominal Coverage Angle	100° included angle -6 dB/ 2 kHz half space
Audio Connection	Pre-cut 7" color-coded leads

### INTENDED USE

Indoor environment, mounted parallel to floor plane in a 24" wide suspended ceiling tile grid.  
Program Material: Signal tones, voice and music.

### UL Listed 1480- (UEAY, UEAY7- Canada)

As a **General Signaling** device- When installed with supplied installation instructions and requirements of NEC /AHJ.

### UL Listed 2043

Suitable for use in air-handling spaces.

### CITY of CHICAGO \*APPROVED

Material and construction permits use where ceiling plenum is part of the air handling system.

Recommended construction sequences, installation instructions and A&E Specifications, EASE .GLL / .CFL data files are available in various formats in the QUAM Architects' and Engineers' Resources section on the web at: [www.QuamSpeakers.com](http://www.QuamSpeakers.com)

### QUAM-NICHOLS COMPANY

234 East Marquette Road, Chicago IL 60637  
Phone: (800) NEED NOW Fax: (888) NEED NOW  
(800) 633-3669 (888) 633-3669  
E-Mail: [NeedNow@QNC.com](mailto:NeedNow@QNC.com) [www.QuamSpeakers.com](http://www.QuamSpeakers.com)

SIGNALING

