



Quam

SYSTEM12

24" x 24" Class, 5W-25V/70V Transformer

SYSTEM12/VC

24" x 24" Class, 5W-25V/70V Transformer with Volume Control

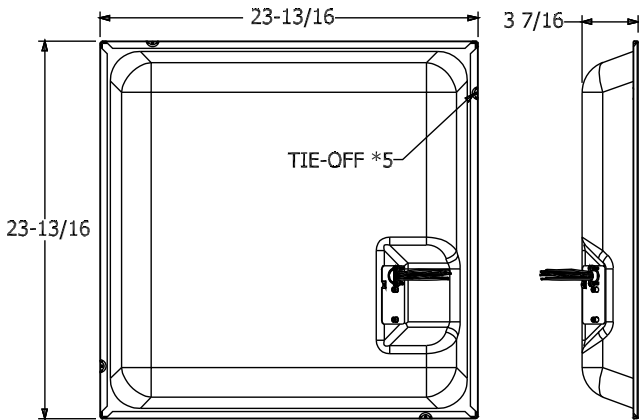
SYSTEM12/25RS

24" x 24" Class, 4W-25V Rotary Select Transformer

SYSTEM12/70RS

24" x 24" Class, 4W-70V Rotary Select Transformer

TILE REPLACEMENT LOUDSPEAKER



LOUDSPEAKER ASSEMBLIES

GENERAL DESCRIPTION

The SYSTEM12 Series consists of versions of a complete loudspeaker assembly with an 8" O.D. full range speaker, multiple transformer options, perforated steel baffle and integral molded fiber enclosure.
Finish: Baked epoxy hybrid

MODELS

SYSTEM12	5W*, 25/70.7V Pigtail
SYSTEM12/VC (Not UL Listed)	5W*, 25/70.7V Pigtail, with baffle mounted Volume Control
SYSTEM12/25RS	4W**, 25V Rotary select
SYSTEM12/70RS	4W**, 70.7V Rotary select

*5W, 2.5W, 1.25W, 0.63W, 0.31W
**4W, 2W, 1W, 0.5W, 0.25W

SYSTEM COMPONENTS

Loudspeaker	8C5PAX
-------------	--------

FINISH OPTIONS

White	Order as SYSTEM12, SYSTEM12/VC, SYSTEM12/25RS or SYSTEM12/70RS
Black	Order as SYSTEM12/ B , SYSTEM12/VC/ B , SYSTEM12/25RS/ B or SYSTEM12/70RS/ B

AUDIO SPECIFICATIONS

Average Sensitivity	92 dB-SPL, 1W/1M
Loudspeaker Power Rating	12W-RMS, EIA 426A Standard
Calculated Maximum System Output	5W transformer: 99 dB-SPL/ 1M 4W transformer: 98 dB-SPL/ 1M
Magnet Type, Weight	BeFe Ceramic, 4.8 oz., Nominal
Frequency Response	65 Hz-17 kHz, EIA 426A Standard
Nominal Coverage Angle	100° included angle, 6 dB/ 2 kHz, half space
Audio Connection	7" color-coded pigtails, pre-cut

INTENDED USE

Indoor environment, mounted parallel to floor plane in a 24" wide suspended ceiling tile grid.
Program Material: Signal tones, voice and music.

UL Listed 1480- (UEAY, UEAY7- Canada)

As a **General Signaling** device- When installed with supplied installation instructions and requirements of NEC /AHJ.

CITY of CHICAGO *APPROVED

Material and construction permits use where ceiling plenum is part of the air handling system.

Recommended construction sequences, installation instructions and A&E Specifications, EASE .GLL / .CLF data files are available in various formats in the QUAM Architects' and Engineers' Resources section on the web at:
www.QuamSpeakers.com

Quam-Nichols Company

234 East Marquette Road, Chicago IL 60637
Phone: (800) NEED NOW Fax: (888) NEED NOW
(800) 633-3669 (888) 633-3669

E-Mail: NeedNow@QNC.com www.QuamSpeakers.com

SIGNALING



.GLL / .CLF
DATA



(1' x 2') SYSTEM 5 – includes 8-Ohm, /25RS and /70RS versions
(2' x 2') SYSTEM 12 – includes 8-Ohm, /25RS and /70RS versions

INTENDED USE:

All versions: Indoor environment, mounted parallel to floor plane in a 24" wide, suspended ceiling tile grid; mount height 18' or less above floor plane.

Program material: Signal tones, voice and music.



UL Listed 1480

City of Chicago * Approved

"Material and construction permits use where ceiling plenum is part of the air handling system"

Type G– General Signaling

1. Cut ceiling tile as required:

1' x 2' FORMAT LOUDSPEAKER

- 2' x 2' tile – Cut tile in half along one axis.
- 2' x 4' tile – Cut 12" from edge along 2' axis and discard smaller piece.

2' x 2' FORMAT LOUDSPEAKER

- 2' x 2' tile – No cutting required.
- 2' x 4' tile – Cut tile in half along 2' axis.

! Steps 2-3 – Required only if using conduit clamp fitting *other than what is provided* with product.

2. Loosen, but do not remove screws on cover plate; push up and remove plate from assembly.

3. Remove cable /conduit clamp fitting from plate; Install UL Listed metallic enclosure entry fitting for plenum cable or flex whip.

4. Feed supply cable through whip to connector. Make connections per wiring diagrams below; insulate all unused taps from each other, the enclosure and electrical ground.

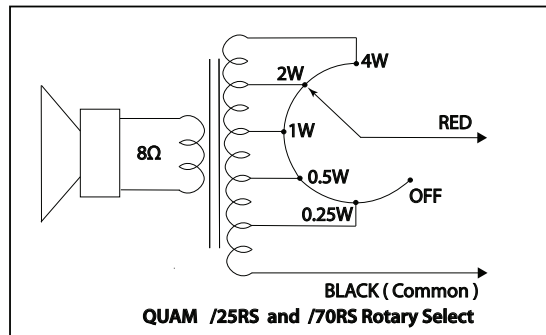
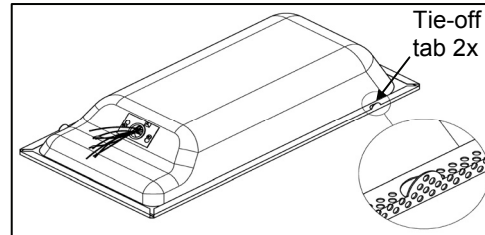
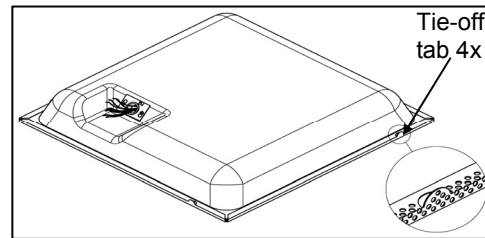
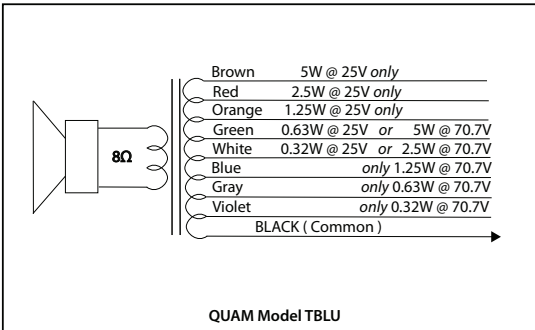
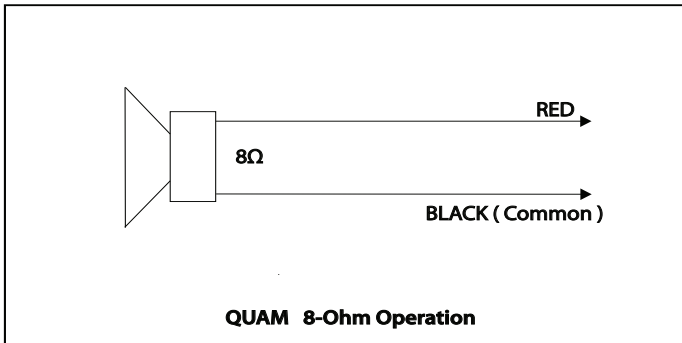
When cover plate is secured, all connections / splices and unused leads must be inside of the enclosure.

5. Place assembly onto ceiling grid, install 24" T-bar trim piece where required (furnished only with specific 1'x2' formats).

NOTE! AHJ/ local codes may require tie-off to structure. Bend up tie-off tabs as shown in illustration and install as directed.

NOTE! AHJ/ local codes may require tie-down to grid. Recommended fasteners; *not supplied.* Erico/Caddy part ATA4i and 1/4"-20 x 2" bolt, or equivalent. Install as directed.

6. Place remaining ceiling tile into opening as required.



234 East Marquette Road, Chicago, IL 60637
 Phone: (800) NEED NOW Fax: (888) NEED NOW
 (800) 633 - 3669 (888) 633 - 3669
 E-Mail: neednow@qnc.com www.quamspeakers.com



(1' x 2') SYSTEM 5/VC, SYSTEM 14, SYSTEM 16 – includes 8-Ohm, /25RS and /70RS versions
(2' x 2') SYSTEM 12/VC, SYSTEM 15, SYSTEM 17 – includes 8-Ohm, /25RS and /70RS versions

INTENDED USE:

All versions: Indoor environment, mounted parallel to floor plane in a 24" wide, suspended ceiling tile grid; mount height 18' or less above floor plane.

Program material: Signal tones, voice and music.

1. Cut ceiling tile as required:

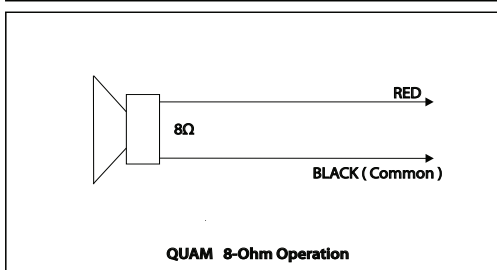
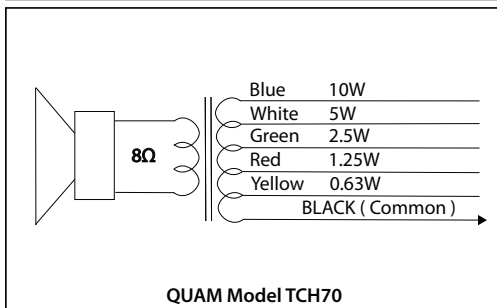
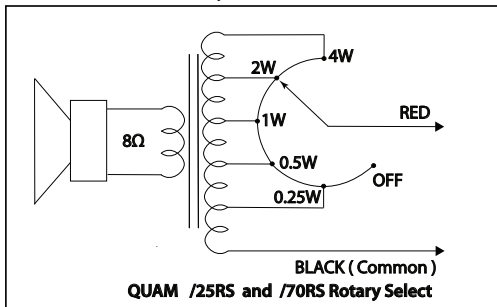
- 1' x 2' **FORMAT LOUDSPEAKER**
 - 2' x 2' tile – Cut tile in half along one axis.
 - 2' x 4' tile – Cut 12" from edge along 2' axis and discard smaller piece.

- 2' x 2' **FORMAT LOUDSPEAKER**
 - 2' x 2' tile – No cutting required.
 - 2' x 4' tile – Cut tile in half along 2' axis.

! **Steps 2-3** – Required only if using conduit clamp fitting *other than what is provided* with product.

2. Loosen, but do not remove screws on cover plate; push up and remove plate from assembly.

3. Remove cable /conduit clamp fitting from plate; Install UL Listed metallic enclosure entry fitting for plenum cable or flex whip.



4. Feed supply cable through whip to connector.

Make connections per wiring diagrams below; insulate all unused taps from each other, the enclosure and electrical ground.

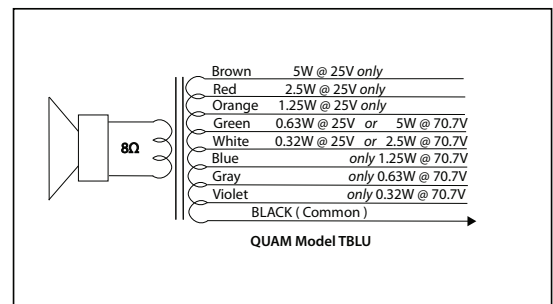
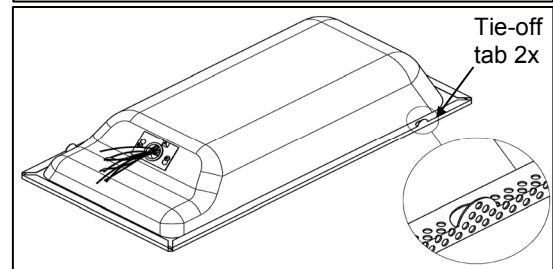
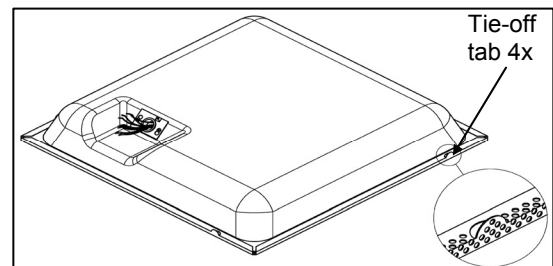
When cover plate is secured, all connections / splices and unused leads must be inside of the enclosure.

5. Place assembly onto ceiling grid, install 24" T-bar trim piece where required (furnished only with specific 1'x2' formats).

NOTE! AHJ/ local codes may require tie-off to structure. Bend up tie-off tabs as shown in illustration and install as directed.

NOTE! AHJ/ local codes may require tie-down to grid. Recommended fasteners; *not supplied.* Erico/Caddy part ATA4i and 1/4"-20 x 2" bolt, or equivalent. Install as directed.

6. Place remaining ceiling tile into opening as required.



234 East Marquette Road, Chicago, IL 60637
 Phone: (800) NEED NOW Fax: (888) NEED NOW
 (800) 633 - 3669 (888) 633 - 3669
 E-Mail: neednow@qnc.com www.quamspeakers.com

