

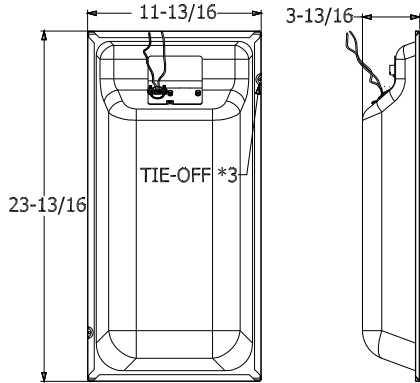


Quam

SYSTEM 5/8

Complete 1' x 2' class UL Listed Speaker System
Dual Cone 8" O.D. Speaker, 8-Ohm

TILE REPLACEMENT LOUDSPEAKER ASSEMBLY



GENERAL DESCRIPTION

The SYSTEM 5/8 Series is a complete shallow depth, lightweight loudspeaker assembly with an 8" O.D. 8-Ohm loudspeaker with concentric mount hard fiber HF cone, perforated steel grill and integral molded 617 CID fiber enclosure. Cable clamp is included; three (3) seismic tie-off points. No assembly required. Includes one 24" "T" bar to finish edge.

Grille finish: Baked epoxy hybrid

SYSTEM COMPONENTS

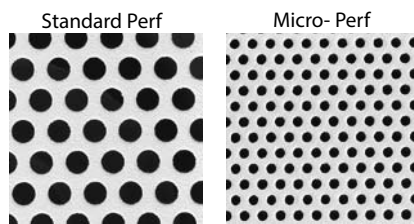
Loudspeaker	8C5PAX
-------------	--------

MODELS

GRILLE OPTIONS

SYSTEM 5/8	Standard Perf White
SYSTEM 5/8/B	Standard Perf Black
SYSTEM 5/8/MP	Micro-Perf White *
SYSTEM 5/8/MP/B	Micro-Perf Black *

*These products have not been submitted to UL or City of Chicago



Shown as 1" square samples

AUDIO SPECIFICATIONS

Average Sensitivity	92 dB-SPL 1W/1M
Loudspeaker Power Rating	12W-RMS EIA 426A Standard
Calculated Maximum System Output	103 dB-SPL 12W/1M
Magnet Type	4.8 oz. BeFe Ceramic
Frequency Response	65 Hz-17 kHz EIA 426A Standard
Nominal Coverage Angle	100° included angle -6 dB/ 2 kHz half space
Audio Connection	Pre-cut 7" color-coded leads

INTENDED USE

Indoor environment, mounted parallel to floor plane in a 24" wide suspended ceiling tile grid.

Program Material: Signal tones, voice and music.

UL Listed 1480- (UEAY, UEAY7- Canada)

As a **General Signaling** device- When installed with supplied installation instructions and requirements of NEC /AHJ.

UL Listed 2043

Suitable for use in air-handling spaces.

CITY of CHICAGO *APPROVED

Material and construction permits use where ceiling plenum is part of the air handling system.

Recommended construction sequences, installation instructions and A&E Specifications, EASE .GLL / .CFL data files are available in various formats in the QUAM Architects' and Engineers' Resources section on the web at: www.QuamSpeakers.com

QUAM-NICHOLS COMPANY

234 East Marquette Road, Chicago IL 60637
Phone: (800) NEED NOW Fax: (888) NEED NOW
(800) 633-3669 (888) 633-3669
E-Mail: NeedNow@QNC.com www.QuamSpeakers.com

SIGNALING

