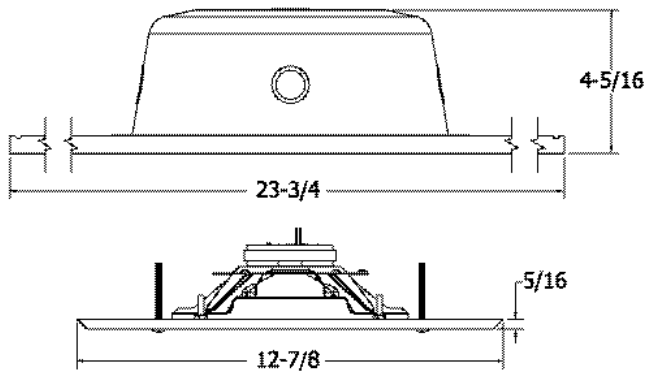




SOLUTION1
 Installer Package Speaker System
 25/70V, Color Coded Leads
SOLUTION2
 Installer Package Speaker System
 Volume Control, 25/70V, Color Coded Leads

INSTALLER PACKAGE LOUDSPEAKER ASSEMBLY



GENERAL DESCRIPTION

The SOLUTION1 is (2) complete loudspeaker assemblies, each with an 8" O.D. loudspeaker with concentric mount hard fiber HF cone, 5W- 25/70.7V transformer, 22 gage steel baffle, 16 gage steel enclosure and speaker support bridge included in package. Baffle finish: White baked epoxy hybrid.

The SOLUTION 2- as above, with volume control in center of loudspeaker baffle. Adjustment by supplied knob or screwdriver adjust with knob removed.

Shipped as a complete pair in one carton

SYSTEM COMPONENTS

Loudspeaker	8C10PAX
Transformer	25/70V 5W-5 tap Color coded leads (5W, 2.5W, 1.25W, 0.63W, 0.31W)
Baffle	BR8WS
Back Box	ERD8U, UL Listed-UUMW
Tile Bridge Support	SSB-3
Volume Control- SOLUTION2 only	Model VC- Continuous

AUDIO SPECIFICATIONS

Average Sensitivity	95 dB-SPL 1W/1M
Loudspeaker Power Rating	20W RMS EIA 426A Standard
Calculated Maximum System Output	102 dB-SPL 5W/1M
Magnet Type, Weight	BeFe Ceramic, 10 oz.
Frequency Response	60 Hz - 17 kHz EIA 426A Standard
Nominal Coverage Angle	90° included angle -6 dB/ 2 kHz, half space
Audio Connection	Pre-cut 7" color coded leads

INTENDED USE

Indoor environment, downward-firing installed in a 24" wide drop-tile ceiling
 Program Material: Paging and background music

Recommended construction sequences, installation instructions and A&E Specifications are available in various formats in the QUAM Architects' and Engineers' Resources section on the web at: www.QuamSpeakers.com

QUAM-NICHOLS COMPANY

234 East Marquette Road, Chicago IL 60637
 Phone: (800) NEED NOW Fax: (888) NEED NOW
 (800) 633-3669 (888) 633-3669
 E-Mail: NeedNow@QNC.com www.QuamSpeakers.com

